

Test Equipment Solutions Datasheet

Test Equipment Solutions Ltd specialise in the second user sale, rental and distribution of quality test & measurement (T&M) equipment. We stock all major equipment types such as spectrum analyzers, signal generators, oscilloscopes, power meters, logic analysers etc from all the major suppliers such as Agilent, Tektronix, Anritsu and Rohde & Schwarz.

We are focused at the professional end of the marketplace, primarily working with customers for whom high performance, quality and service are key, whilst realising the cost savings that second user equipment offers. As such, we fully test & refurbish equipment in our in-house, traceable Lab. Items are supplied with manuals, accessories and typically a full no-quibble 1 year warranty. Our staff have extensive backgrounds in T&M, totalling over 150 years of combined experience, which enables us to deliver industry-leading service and support. We endeavour to be customer focused in every way right down to the detail, such as offering free delivery on sales, presenting flexible technical + commercial solutions and supplying a loan unit during warranty repair, if available.

As well as the headline benefit of cost saving, second user offers shorter lead times, higher reliability and multivendor solutions. Rental, of course, is ideal for shorter term needs and offers fast delivery, flexibility, try-before-you-buy, zero capital expenditure, lower risk and off balance sheet accounting. Both second user and rental improve the key business measure of Return On Capital Employed.

We are based at Aldermaston in the UK from where we supply test equipment worldwide. Our facility incorporates Sales, Support, Admin, Logistics and our own in-house Lab.

All products supplied by Test Equipment Solutions include:

- No-quibble parts & labour warranty (we provide transport for UK mainland addresses).
- Free loan equipment during warranty repair, if available.
- Full electrical, mechanical and safety refurbishment in our 40GHz in-house Lab.
- Certificate of Conformance (calibration available on request).
- Manuals and accessories required for normal operation.
- Free insured delivery to your UK mainland address (sales).
- Support from our team of seasoned Test & Measurement engineers.
- ISO9001 quality assurance.

Test Equipment Solutions Ltd
Unit 3 Zodiac House
Calleva Park
Aldermaston
Berkshire
RG7 8HN

T: 01183 800 800
F: 01183 800 804

Email: info@TestEquipmentHQ.com
Web: www.TestEquipmentHQ.com



NC1000 Series

10 Hz to 10 GHz



Amplified Noise Modules

The NC1000 series modules produce white Gaussian noise up to +13 dBm. The high power modules are designed for secure communication and signal jamming, while the low power modules with high crest factor are used for signal impairment in BER, and Jitter applications.

Each module contains a hermetically packaged noise diode that has been pre-selected for special performance characteristics. The standard module is designed for a 50 Ω load impedance.

Applications

- CATV/HDTV
- Signal jamming
- Secure communications
- Jitter applications
- 10 GigE, PCI Express

Specifications

High power	Up to +13 dBm
Standard input Voltage	+28VDC (below 1.5 GHz) +15 VDC (above 1.5 GHz)
Operating temperature	-35° to +100°C
Storage temperature	-65° to +150°C
Typical temperature coefficient	0.025 dB/°C
Supply voltage sensitivity	0.25 dB/1% Δ V
Output connector	SMA female connector (BNC available as option)

Options

NC1opt01	+15 VDC
NC1opt02	+24 VDC
NC1opt03	BNC female connector (NC1101A through NC1110A only)
NC1opt04	0 dBm output (Package 2, NC1101A through NC1110A) Not available for NC1124, NC1126 & NC1128
NC1opt05	TTL control "High" is on (add "T")
NC1opt06	TTL control "Low" is on (add "IT")
NC1opt07	Special frequency range (consult factory)

High Power Modules

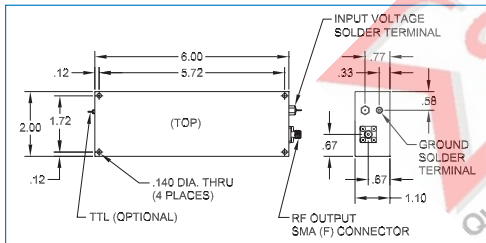
50 Ω Load Impedance (Package 1, +28 VDC Operation is standard)

Model	Frequency Range	Output Characteristics				I (max) (mA)
		Power (dBm)	dBm/Hz	Flatness (dB)	$\mu\text{V}/\sqrt{\text{Hz}}$	
NC1101A	10 Hz - 20 kHz	+13	-30	±0.5	7071	70
NC1103A	10 Hz - 500 kHz	+13	-44	±0.5	1414	150
NC1105A	10 Hz - 10 MHz	+13	-57	±.75	316	160
NC1107A	100 Hz - 100 MHz	+13	-67	±1.0	100	160
NC1108A	100 Hz - 500 MHz	+10	-77	±1.5	31.6	160
NC1109A	100 Hz - 1 GHz	+10	-80	±2.0	22.4	160
NC1110A	100 Hz - 1.5 GHz	+10	-82	±2.0	18.2	160

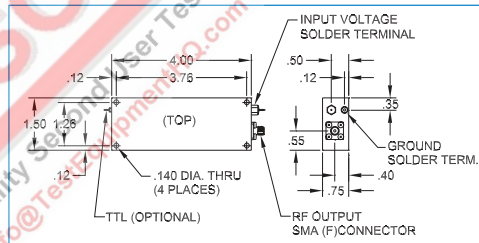
High Crest Factor Modules

50 Ω Load Impedance (Package 3, +15 VDC operation is standard)

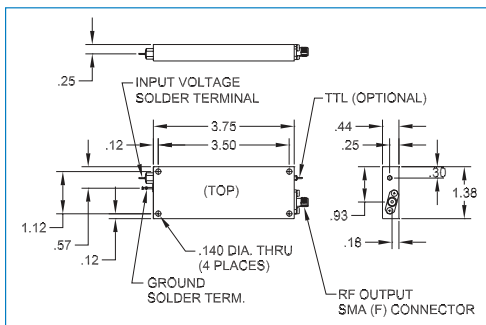
Model	Frequency Range	Output Characteristics				I (max) (mA)
		Power (dBm)	dBm/Hz	Flatness (dB)	$\mu\text{V}/\sqrt{\text{Hz}}$	
NC1111A	1 GHz - 2 GHz	-10	-100	±2.0	2.24	250
NC1111B	1 GHz - 2 GHz	0	-90	±2.0	7.07	250
NC1112A	20 MHz - 2 GHz	-10	-103	±2.5	1.58	250
NC1112B	20 MHz - 2 GHz	0	-93	±2.5	5.02	250
NC1113A	10 MHz - 3 GHz	-10	-105	±2.5	1.12	250
NC1113B	10 MHz - 3 GHz	0	-95	±2.5	5.02	250
NC1124A	2 GHz - 4 GHz	-10	-103	±2.5	1.58	250
NC1126A	2 GHz - 6 GHz	-14	-110	±2.5	0.71	250
NC1128A	10 MHz - 10 GHz	-17	-117	±3.0	0.32	250
NC1128B	10 MHz - 10 GHz	0	-100	±3.0	2.24	300



NC1000 Series Dimensions - Package 1 (inches)



NC1000 Series Dimensions - Package 2 (inches)



NC1000 Series Dimensions - Package 3 (inches)

Wireless Telecom Group Inc.
 25 Eastmans Rd
 Parsippany, NJ
 United States
 Tel: +1 973 386 9696
 Fax: +1 973 386 9191
www.noisecom.com

© Copyright 2016
 All rights reserved.

N/NC1000/216/EN
 Note: Specifications, terms and conditions are subject to change without prior notice.